

ÄKTA go™

CHROMATOGRAPHY SYSTEMS

ÄKTA go™ system is a compact liquid chromatography system that allows researchers to perform routine protein purification with ease and efficient use of bench and cold cabinet space (Fig 1). ÄKTA go system is developed for automated chromatography from the heritage of our fast protein liquid chromatography (FPLC) technology. The robust and reliable system hardware and UNICORN™ control software are designed to work together with our prepacked columns and chromatography resins for efficient and successful protein purification. The system supports commonly used chromatography techniques in an easy and accessible manner.

System benefits

- Routine protein purification fitted into a compact system, with a footprint of only 335 × 464 mm (width × depth), to make the most of valuable laboratory bench and cold cabinet/room space.
- Intuitive method creation in minutes and interactive process picture for maximum control and easy access to manual controls even during method runs.
- Proven design of ÄKTA™ systems and UNICORN software combined with prepacked columns and resins for reliable operation and trusted results in protein purification.

System overview

ÄKTA go chromatography system includes everything needed for routine chromatography (Fig 2). The instrument weighs less than 27 kg in standard configuration. The low weight and small footprint enable easier placement in the laboratory and in cold rooms/cabinets. ÄKTA go system is designed to work together with UNICORN software and our columns and resins to form a complete solution for preparative, lab-scale protein chromatography.

The system has a modular design with all valves, monitors, and columns mounted on the front, wet side of the system. This allows for easy interaction with all instrument modules. A fraction collector can be placed on the side of the system or in a tunnel under the system.

Several rails for attachment of column holders and extra valves are located on the front and both sides of the instrument. A buffer tray on top of the instrument provides storage area



Fig 1. ÄKTA go system is a compact chromatography system for routine protein purification.

for bottles. The large storage capacity is 2 × 2 L in combination with 2 × 1 L flasks giving 6 L of buffer in total on top of the system.

The instrument control panel shows the system state in text and color coding. It also allows for interaction with the run (pause/continue) at the touch of a button. This is especially handy in a cold room where the controlling computer is outside of the refrigerated area. The system's main switch is located on the front for easy access when placed in a cold cabinet or in a crowded laboratory environment.

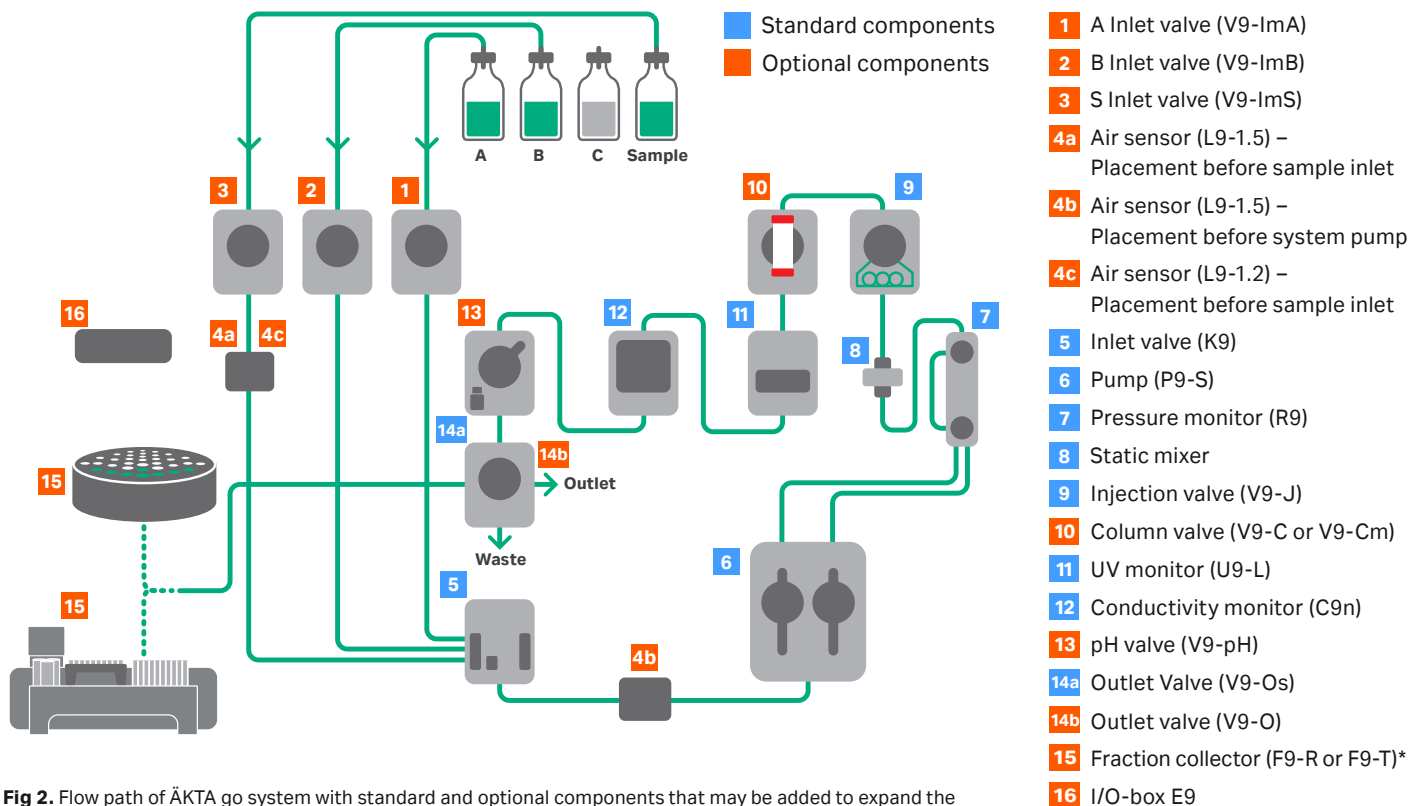


Fig 2. Flow path of ÄKTA go system with standard and optional components that may be added to expand the capability of the system.

* Only one fraction collector may be used at the same time.

Standard components

The standard configuration comes with a high-performance system pump, system pressure monitor for column and system protection, inlet valve for gradient formation, static mixer, injection valve, UV and conductivity monitors, and an outlet valve (Fig 2).

The system flow path is designed to minimize band-broadening effects and to enable high-resolution protein separation. All wetted materials used in the flow path are biocompatible and resistant to commonly used buffers.

The pump consists of the same robust and reliable titanium pump heads used in well-established ÄKTA chromatography systems such as ÄKTA avant™ and ÄKTA pure™ systems. The front of the instrument is designed with two empty module positions where optional valves can be mounted to fit the laboratory's routine needs. Optional valves can be mounted on the rails of the system using the Extension box. If preferred, the system can be set up to enter "power save mode" at the end of the chromatography run, which reduces power consumption by 75%.

ÄKTA go system standard components are described in more detail in Figure 3.

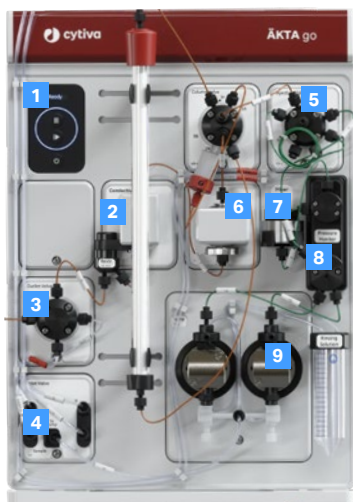


Fig 3. Standard ÄKTA go system and its components.

- 1 Instrument control panel:** text and color coding ensures easy overview of system state and intuitive interaction. Power switch and run/pause buttons located on front for easy access.
- 2 Conductivity monitor:** to monitor gradients.
- 3 Outlet valve:** with three ports for outlet, waste, and connection to a fraction collector.
- 4 Compact inlet valve:** for sample application and formation of buffer gradient.
- 5 Injection valve:** enables precise injection of samples from loop/superloop or direct loading of large sample volume with the pump.
- 6 UV monitor:** silent and eco-friendly with low power consumption and long life span. Requires no warm-up prior to runs and does not heat samples.
- 7 Static mixer:** silent and requires only low maintenance due to no moving parts.
- 8 Pressure monitor:** ensures safety and integrity for both column and system.
- 9 System pump:** proven design with titanium heads and back-wash.

Optional components

ÄKTA go system has a range of optional components such as extra inlet valves, column valves, outlet valves, pH valve, air sensor, and fraction collectors that can be added to suit your laboratory workflows. The fraction collector can be placed on the side of the system, or if fraction collector F9-T is used, it can be placed in a tunnel under the system to save on bench space.

- 1 Extra sample inlet valve** (with five sample inlets and one buffer inlet) and buffer selection valves with extra A and B inlets (six inlets per valve) mounted on the rails using the Extension box
- 2 pH valve** enables in-line pH monitoring during a run
- 3 Fraction collection** is made possible by adding either fraction collector F9-R (right) for collection of fractions in up to 175 tubes or fraction collector F9-T (left) for collection in deep-well plates, microplates, and small tubes
- 4 Column selection valve** V9-C, with five column positions and built-in pressure sensors positioned before and after the columns
The two column selection valves enable up- and downflow of the column as well as by-passing the column
- 5 Outlet valve** V9-O allows for collection of flow-through ie unbound substance flowing through the column. V9-O directs the flow from the instrument to a fraction collector, to any of the ten outlet ports, or to waste
- 6 I/O-box:** for connecting external equipment to the system, such as an autosampler or detectors for measurement of refractive index, light scattering, and fluorescence
- 7 Air sensors** for detecting air in sample or buffers, or advancing the method to the next step when sample loading is complete

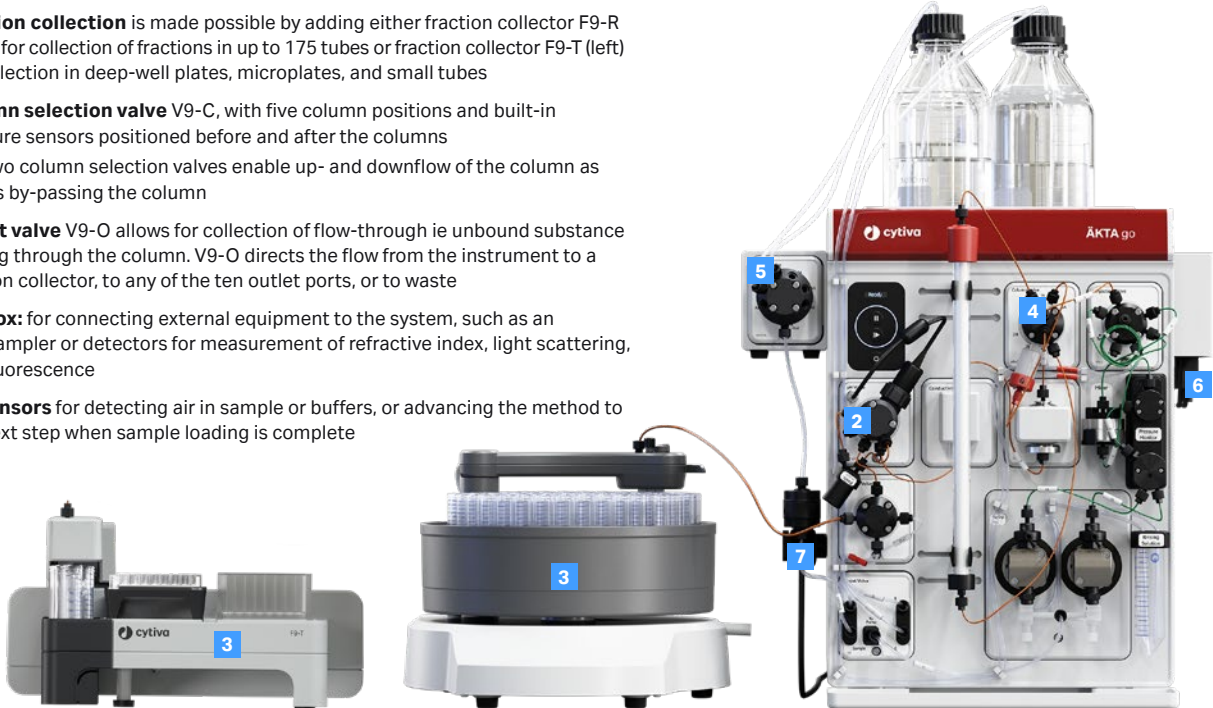


Fig 4. Optional components can be added in the two empty positions in the system chassis or mounted on rails to expand the capability of the ÄKTA go system. As many as six options can be added at the same time. One fraction collector can be added; either F9-T or F9-R.

ÄKTA go in parallel

Connect up to three ÄKTA go systems to one monitor and run protein purifications in parallel using UNICORN software. This space saving set-up allows the automatic run of one- and two-step purifications in parallel.



Fig 5. ÄKTA go system parallel purification.

Software

ÅKTA go system is fully supported by UNICORN software and gives you real-time control of your chromatography system. Automated methods can be created in minutes for most common chromatography techniques using preprogrammed methods. UNICORN software also supports evaluation of results.

UNICORN software consists of four modules: **Administration**, **Method editor** (Fig 6), **System control** (including **Process picture**, Fig 7), and **Evaluation**. The modules work together for increased operational security, efficiency, and productivity.

The **Method editor** module allows you to create or adjust methods to suit your application needs (Fig 6). A method is

simply created by drag-and-drop of modules called phases. Each phase represents a step in the run — such as sample application or wash — and a chromatography run (method) is represented by several phases. UNICORN software also includes a library of predefined Cytiva columns and column parameters (e.g., flow rate and pressure limits) that are automatically programmed into the methods. For added flexibility, you can edit programming instructions directly in the **Text instructions** pane.

The **System control** module is used to start, view, and control a method run. The module consists of three panes — **Chromatogram pane**, **Process picture**, and **Run log** — that provide an overview of the status of the run (Fig 6).

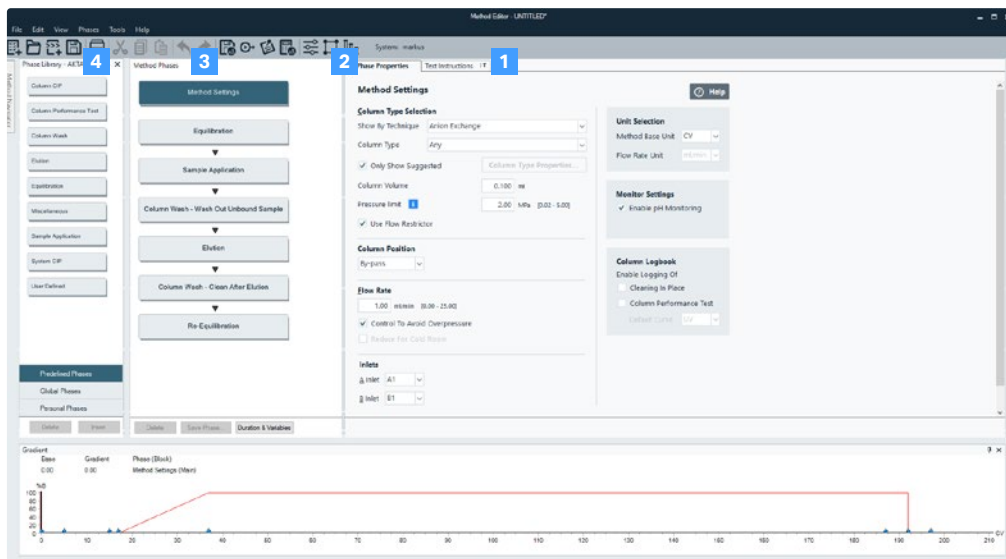


Fig 6. UNICORN 7.4 **Method editor** for easy method creation and overview.

- 1 Tweak method by using **Text instructions**
- 2 Set conditions to match your application in **Phase properties**
- 3 **Method phases** show the outline of a specific method
- 4 Drag and drop phases (steps) from the **Phase library** to create methods or use preprogrammed methods

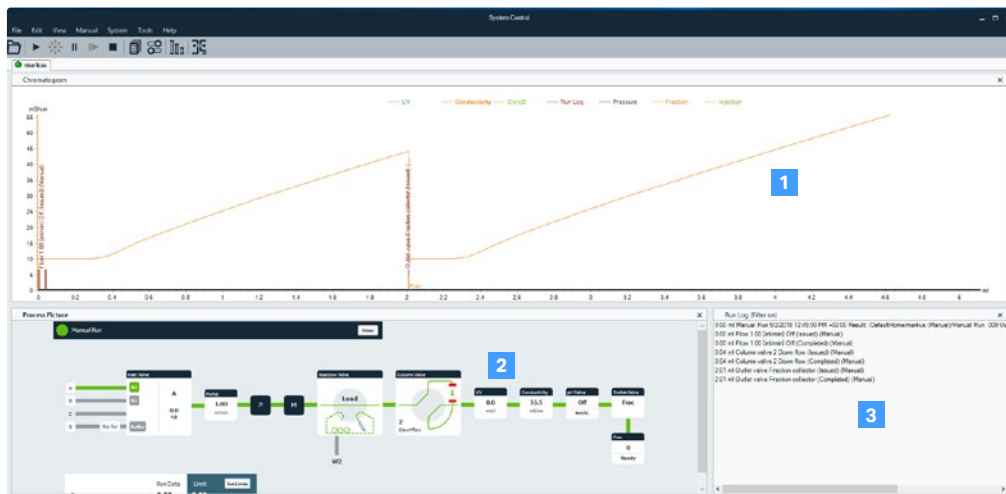


Fig 7. **System control** module showing **Chromatogram pane**, **Process picture**, and **Run log** features simultaneously.

- 1 **Chromatogram** pane illustrates data as curves during the entire method run
- 2 **Process picture** displays the current flow path during the run and can be used to control the run. Current state of the flow path is indicated and real-time data from monitors are also displayed
- 3 **Run log** presents current data in numerical values

The interactive **Process picture** helps you quickly start manual runs and enables manual interaction during automated runs (Fig 8). **Process picture** also allows easy monitoring of the run, clearly displaying all relevant run data and system state. Among the most important attributes is the ability to monitor system pressure. The column pressure limits are easily set in the **Process picture** either by importing them from the **Column library** or by manual settings, to ensure the highest level of safety and integrity for the column and run. Estimated remaining time gives the user the estimated time for a method run to complete, providing the possibility to focus on other tasks, and return to the system when the chromatography run ends. The timer function can be set to either volume or time, for smooth and easy equilibration or preparation of columns. In summary, the **Process picture** gives you intuitive access to all essential information and necessary functionality.

With UNICORN software, the **Evaluation** module provides a simplified user interface optimized for most commonly used workflows like quick evaluation, comparison of results, and work with peaks and fractions. The software is modular, allowing the addition of features such as **Column logbook** to keep track of column performance. This is especially useful when each column is used by multiple people in the lab.

UNICORN online

UNICORN online is an add-on to UNICORN control software that provides intuitive, remote control, and monitoring from mobile devices and computers. Contact your sales representative for more information and installation.



Fig 8. The **Process picture** represents the system flow path with a clear overview of placement of system components. All parts of the system are interactive and developed to ensure integrity of your run, samples, and columns.

- 1 Estimated remaining volume or time can be set using the timer function
- 2 Easy overview and full control over both injection valve and column valves to ensure both sample and column safety and integrity
- 3 Clearly displayed flow path of the injection using color-coded valve
- 4 Click on a module for interaction and to change settings and parameters

Accessories

A wide range of accessories can be used with ÄKTA go system, such as column holders and clamps for attaching columns up to 25 mm in diameter, flasks, and tubing to the system. A selection of tubing allows for optimization of the flow path if needed.

Prepacked columns

Cytiva offers an extensive range of prepacked columns for purification, from microgram levels to hundreds of milligrams of target protein and for almost every chromatography technique. The range includes HiTrap™, HiPrep™, HiScreen™, HiScale™, and HiLoad™ columns for preparative chromatography. Tricorn™ columns are available for high-resolution, semipreparative purifications at microgram scale and for protein characterization.



Fig 9. ÄKTA go system accessories.

- 1 Flexible column holder for HiScreen columns
- 2 Column holder rod
- 3 Bottle and airsenser holder
- 4 Tubing holder, spool
- 5 Column and bottle holder, o.d. 10–50 mm
- 6 Column clamp, o.d. 10–21 mm (two included with system)
- 7 Multipurpose holder
- 8 Multidirectional column clamp (one included with system)
- 9 Rail extension

System specifications

Control system software	UNICORN 7.6 or later version
Connection between computer and instrument	Ethernet
Dimensions (W × H × D), instrument	335 × 482 × 464 mm without accessories Depth without bottom tray, 451 mm; depth of chassis, 380 mm; height of F9-T tunnel, 223 mm
Weight, instrument	< 27 kg (instrument only)
Power supply, instrument	100 to 240 VAC, 50/60 Hz, max voltage fluctuation ± 10% of nominal voltage
Power consumption, instrument	Rated max. 300 VA Max. with all options 150 W Typical 100 W Power-save < 20 W
Enclosure protective class, instrument	IP 21
Acoustic noise level	< 60 dB(A)
Operating range	Flow rate 0.01 to 25 mL/min Pressure 0 to 5 MPa (50 bar, 725 psi)
Ambient temperature, operating	4°C to 35°C
Ambient temperature, storage	-25°C to 60°C
Relative humidity	20% to 95%, non-condensing
Altitude, operating	≤ 2000 m

Standard components

System pump

Pump type	Piston pump (metering type)
Flow rate range	0.01 to 25 mL/min
Flow rate accuracy	± 2% Conditions: 0.25 to 25 mL/min, 0.7 to 3 cP
Viscosity range	0.7 to 10 cP

Valves

Number of valves	Up to seven
Valves included as standard	Inlet valve (sample and three buffer inlets), injection valve, and outlet valve (three outlets).

Mixer

Mixing principle	Static
Mixer chamber volume	1 mL

Gradients

Gradient formation	Switch valve
Gradient composition range	0% to 100% liquid in B inlet (B)
Gradient composition accuracy	± 2% B Conditions: 2% to 98% B, 0.5 to 20 mL/min, 0.7 to 2 cP
Gradient step composition fluctuation	< ± 0.3% B Conditions: 2 to 98% B, 0.5 to 20 mL/min, 0.7 to 2 cP
Gradient linearity	within ± 1% Conditions: within 10% to 85% B, gradient volume ≥ 20 mL, 0.5 to 20 mL/min, 0.7 to 2 cP

Pressure sensor

Pressure reading range	0 to 5 MPa (50 bar, 725 psi)
Pressure accuracy	± 2% or ± 0.02 MPa (0.2 bar, 2.9 psi), whichever is greater

UV monitor, U9-L

UV wavelength	280 nm
UV flow cell path length	2 or 5 mm
UV reading range	-6 to +6 AU
UV linearity	within ± 5% Conditions: 0 to 2 AU
UV noise	< 0.1 mAU
UV operating pressure	0 to 2 MPa (20 bar, 290 psi)

Conductivity monitor

Conductivity reading range	0.01 to 999.99 mS/cm
Conductivity accuracy	± 0.01 mS/cm or ± 2%, whichever is greater Conditions: within 0.3 to 300 mS/cm
Conductivity operating pressure	0 to 2 MPa (20 bar, 290 psi)
Temperature monitor reading range	0°C to 70
Temperature monitor accuracy	± 1.5°C Conditions: 4°C to 35°C

Optional components

Valves

Optional valves	Inlet selection valves; Column selection valve for three columns; Column selection valve for five columns including pressure sensors; and Outlet valve with total of 12 outlets
-----------------	---

pH monitor

pH reading range	0 to 14
pH accuracy	± 0.1 after calibration Conditions: within pH 2 to 12, within ± 3°C from calibration temperature
pH operating pressure range	0 to 0.5 MPa (5 bar, 72.5 psi)

Round fraction collector, F9-R

Number of fraction collectors	1 (F9-R or F9-T)
Number of fractions	Up to 175
Tubes	175 (3 mL tubes) 95 (8 or 15 mL tubes) 40 (50 mL tubes)
Fraction volumes	0.1 to 50 mL
Spillage-free mode	DropSync
Dimensions (W × H × D)	320 × 250 × 400 mm
Weight	5 kg
Delay volume (UV – dispenser head)	223 µL with standard tubing

Dual plate fraction collector, F9-T

Number of fraction collectors	1 (F9-T or F9-R)
Plates	2 (24, 48, 96 deep-well, or 96-well microplates)
Tubes	96 (0.5 mL tubes) 48 (1.5 mL tubes) 48 (2.0 mL tubes) 4 (50 mL tubes)
Fraction volumes	0.02 to 50 mL
Spillage-free mode	DropSync
Dimensions (W × H × D)	320 × 190 × 270 mm
Weight	4 kg
Delay volume	233 µL with standard tubing

Air sensor

Number of sensors	1
Placement of sensor	Before sample inlet or system pump
Sensing principle	Ultrasonic

I/O-box

Number of I/O boxes	1
Number of ports per box	Two analog in, two analog out, four digital in, four digital out
Analog range	In ± 2 V; out ± 1 V
Digital range	Max. 5 V

Ordering information

Main system and software

Product	Product code
ÅKTA go chromatography system	29383015
UNICORN 7 workstation license	29702890

System modules and accessories

Inlet valve (K9) (included with system)	29383535
A Inlet valve (V9-ImA)	29383527
B Inlet valve (V9-ImB)	29383528
Sample inlet valve (V9-ImS)	29383529
Outlet valve (V9-Os, included with system)	29011356
Outlet valve (V9-O, 12 outlets)	29012261
Air sensor L9-1.2 mm	28956502
Air sensor L9-1.5 mm	28956500
Pressure monitor, R9-1n (included with system)	29383536
Mixer, 1 mL (included with system)	29383537
Injection valve, V9-J (included with system)	29298324
Column valve (V9-Cm, 3 columns)	29383526
Column Valve Kit (V9-C, 5-columns)	29011367
I/O-box E9	29011361
Extension box	29110806

UV monitor, U9-L

UV monitor U9-L (included with system)	29011360
UV flow cell 2 mm for U9-L (included with system)	29011325
UV flow cell 5 mm for U9-L	18112824

pH and conductivity monitors

pH valve kit (V9-pH)	29011359
pH electrode	29387193
Conductivity monitor (C9n) (included with system)	29011363

Fraction collector, F9-R

Fraction collector F9-R	29011362
Tube rack with 175 positions for 12 mm vials, bowl, tube support, holder, and guide	19868403
Tube rack with, 95 positions for 10–18 mm vials	18305003
Tube rack with 40 positions for 30 mm vials, bowl, tube support, holder, and guide	18112467

Fraction collector, F9-T

Fraction collector F9-T	29454032
F9-T tunnel	29476924
F9-T standard nozzle	29477967
F9-T tubing nozzle	29510082
F9-T micro nozzle	29501534
Tubing guide for nozzle	29507802
Microplate holder F9-T	29476921
Tube rack - 0.5 mL tubes	29491085



[cytiva.com/AKTAgo](https://www.cytiva.com/AKTAgo)

Cytiva and the Drop logo are trademarks of Life Sciences IP Holdings Corp. or an affiliate doing business as Cytiva. ÅKTA, ÅKTA avant, ÅKTA go, ÅKTA pure, HiLoad, HiPrep, HiScale, HiScreen, HiTrap, Tricorn, and UNICORN are trademarks of Global Life Sciences Solutions USA LLC or an affiliate doing business as Cytiva. Any other trademarks are the property of their respective owners. The Danaher trademark is a proprietary mark of Danaher Corporation.

© 2025 Cytiva

For local office contact information, visit [cytiva.com/contact](https://www.cytiva.com/contact)

CY11717-20Feb25-DF



danaher